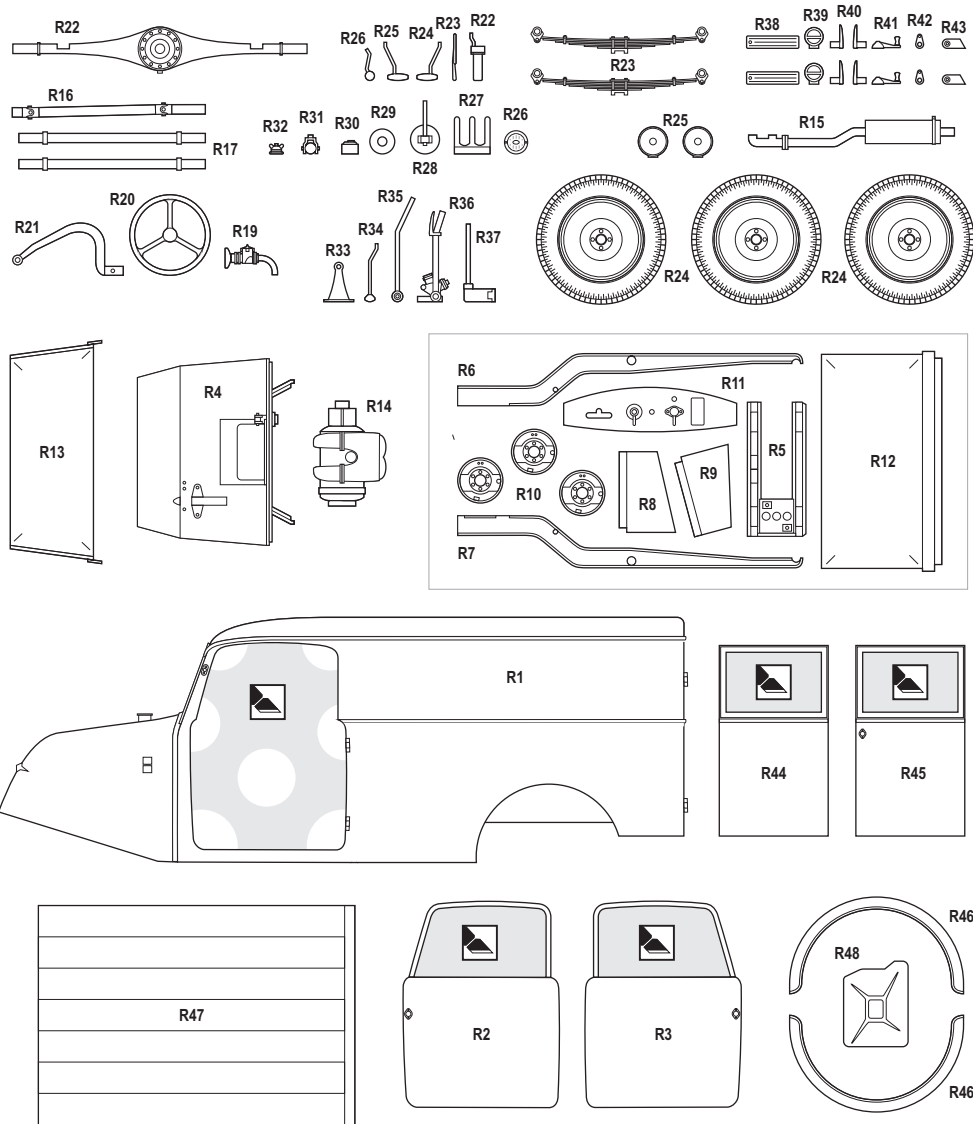


RESIN PARTS

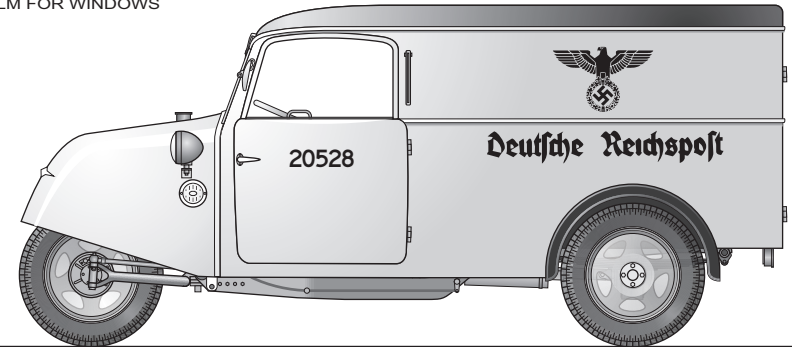


# BORGWARD GOLIATH F.400

DREIRAD LIEFERWAGEN

• 1938 •

66 RESIN PARTS  
DECAL  
DETAILED ENGINE,  
CHASSIS AND INTERIOR  
PREPRINTED FILM FOR WINDOWS



1:35 COMPLETE RESIN KIT

Engineer Carl F.W. Borgward founded the "Goliath-Werke Borgward & Co." in 1928, when Germany suffered of the deep economical and political crisis. Borgward started production of affordable and reliable utility trucks of his own design. This risky enterprise was successful - 2-stroke-powered, 3-wheeled transporter with two seats called the "Blitzkarren" was sold and exported by the thousands. Notably, in Germany, until 1933, vehicles with less than four wheels and up to 350cc engines could be driven without a license and were tax-free. It subsequently formed Borgward's love of the 3-wheeler, and his appreciation of the 2-stroke principle.

Simultaneously, Carl Borgward used several production brands - "Hansa-Lloyd" (for middle-class conventional 4-wheeled cars), "Borgward" (for larger cars), and "Goliath" (for 3-wheelers and trucks).

In 1936, the production of the "Goliath F.400" 3-wheeled truck had begun. It has 500kg load capacity, 2,5 meter wheelbase, and 2-stroke 2-cylinder 395cc engine, which delivered 12.5 hp. The top speed was 50 km/h. The price was RM 1225.

At least three different body variants were proposed: "Tiefpritsche" (truck with narrow and deep cargo bed), the conventional cargo flatbed version, and the "Lieferwagen" - small van. In 1938 "F.400" went through a light restyling - "Goliath" front logo was replaced by Borgward emblem, two rear lights were added.

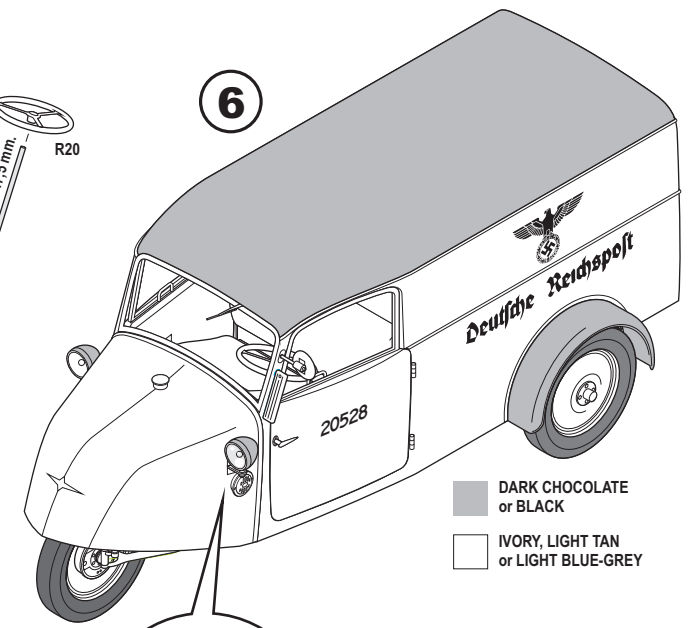
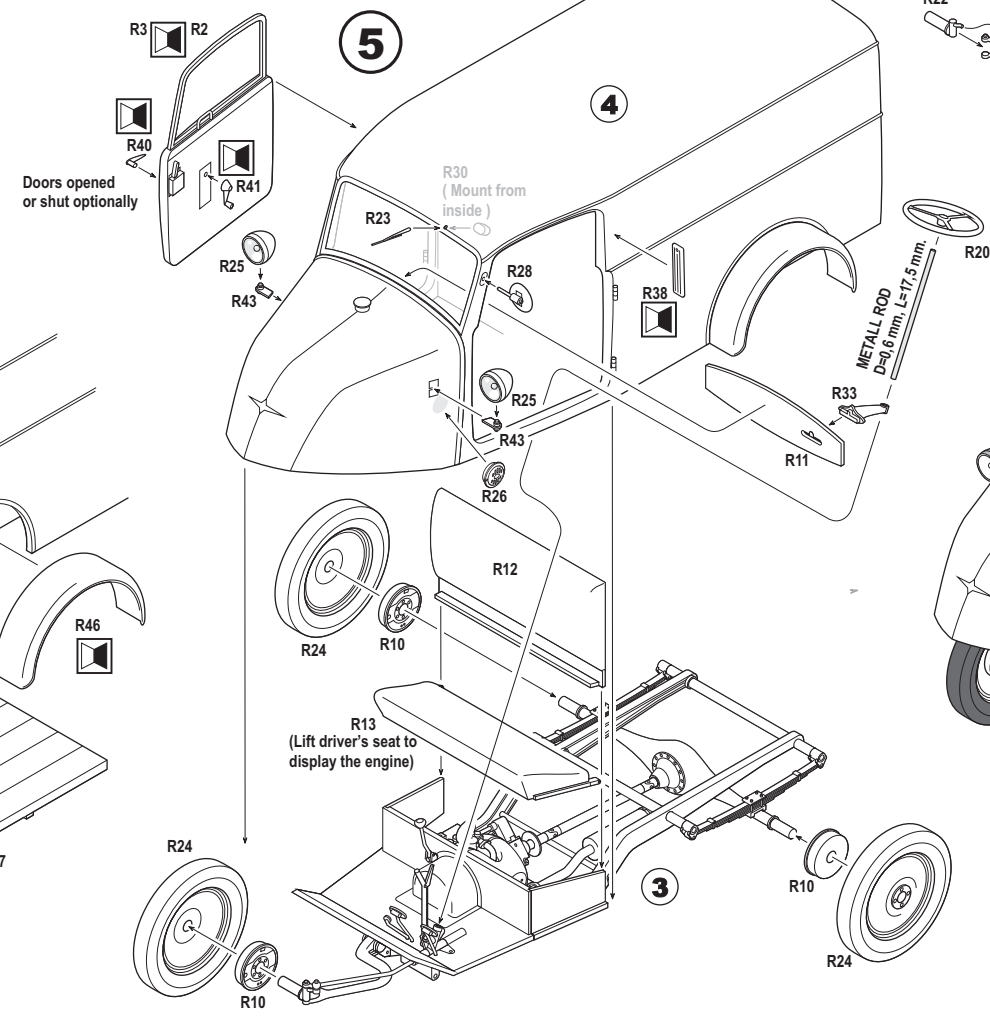
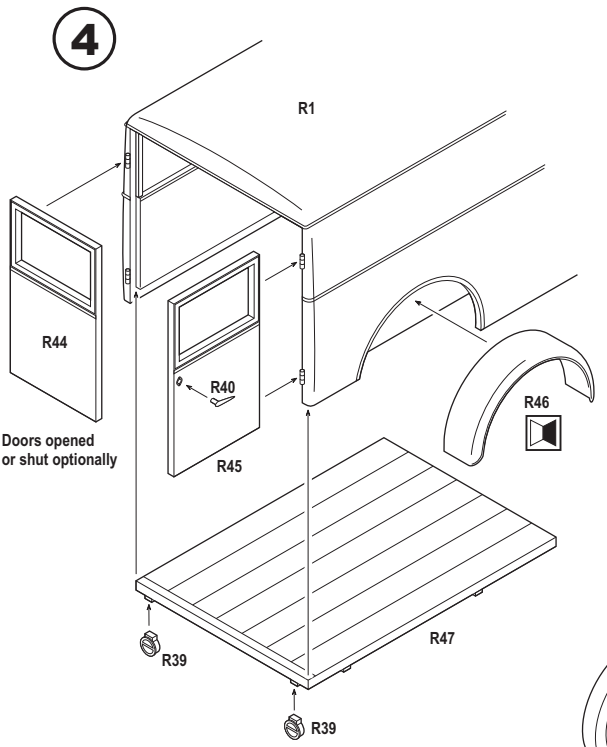
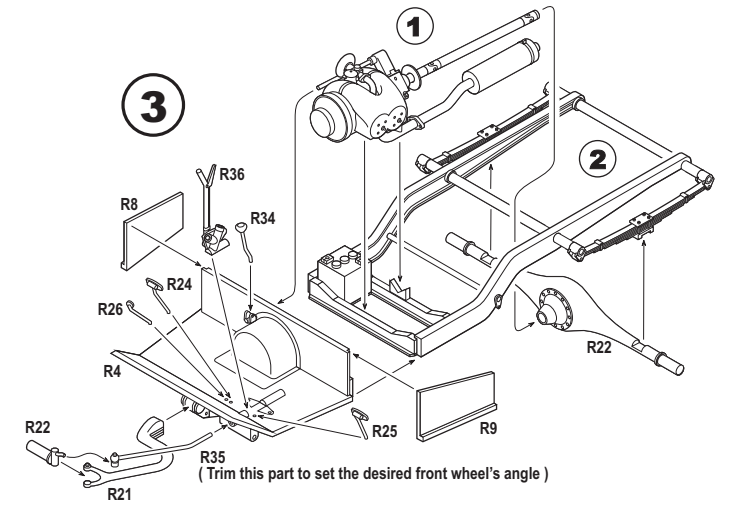
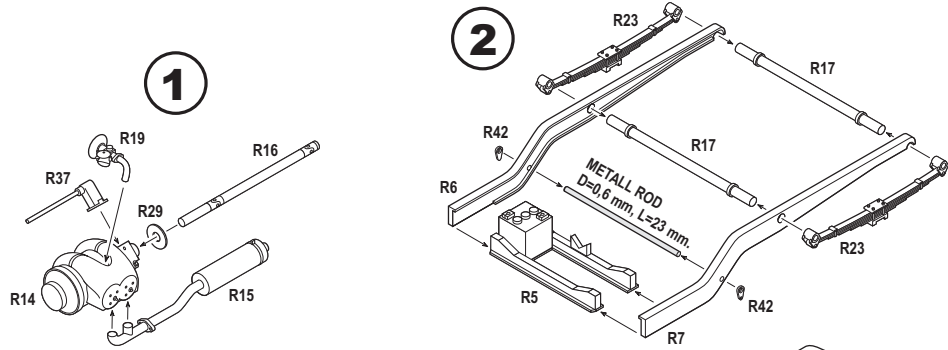
That was simple yet intelligent design - thousands were sold, as it was optimal light delivery vehicle for small businesses, farmers, post-offices etc. Strange, but no war-time photos of "F.400" we know about.

"F.400" production stopped in 1938 - Borgward became deeply involved in developing of the most advanced military vehicles - like famous Sd.Kfz.11 halftracks, remote-controlled demolition drones, and even 4-man submarine on tracks - to crawl on the bottom of the ocean floor.

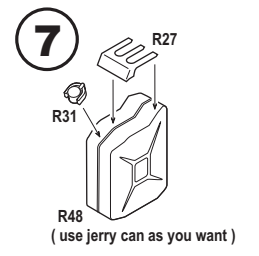
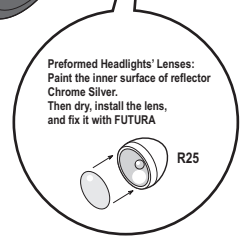
After Germany lost the war, Borgward was jailed for all that. As he went free in 1948, he restored the production of peace-time vehicles, including the successor of the "F.400" - the 3-wheeled truck "Goliath GD.750", which was produced until 1955. Overall, 49.000 three-wheeled "Goliaths" were produced by 1961.

About a dozen of pre-war "Goliath F.400" are preserved in museums and private collections, most are still running well.





- DARK CHOCOLATE or BLACK
- IVORY, LIGHT TAN or LIGHT BLUE-GREY



Doors opened or shut optionally

Doors opened or shut optionally

R13 (Lift driver's seat to display the engine)

Preformed Headlights' Lenses:  
Paint the inner surface of reflector Chrome Silver.  
Then dry, install the lens, and fix it with FUTURA

R48 (use jerry can as you want)

**APPLYING HYBRID DECALS - convenient as Waterslide, carrier-free as Dry-Transfer**

