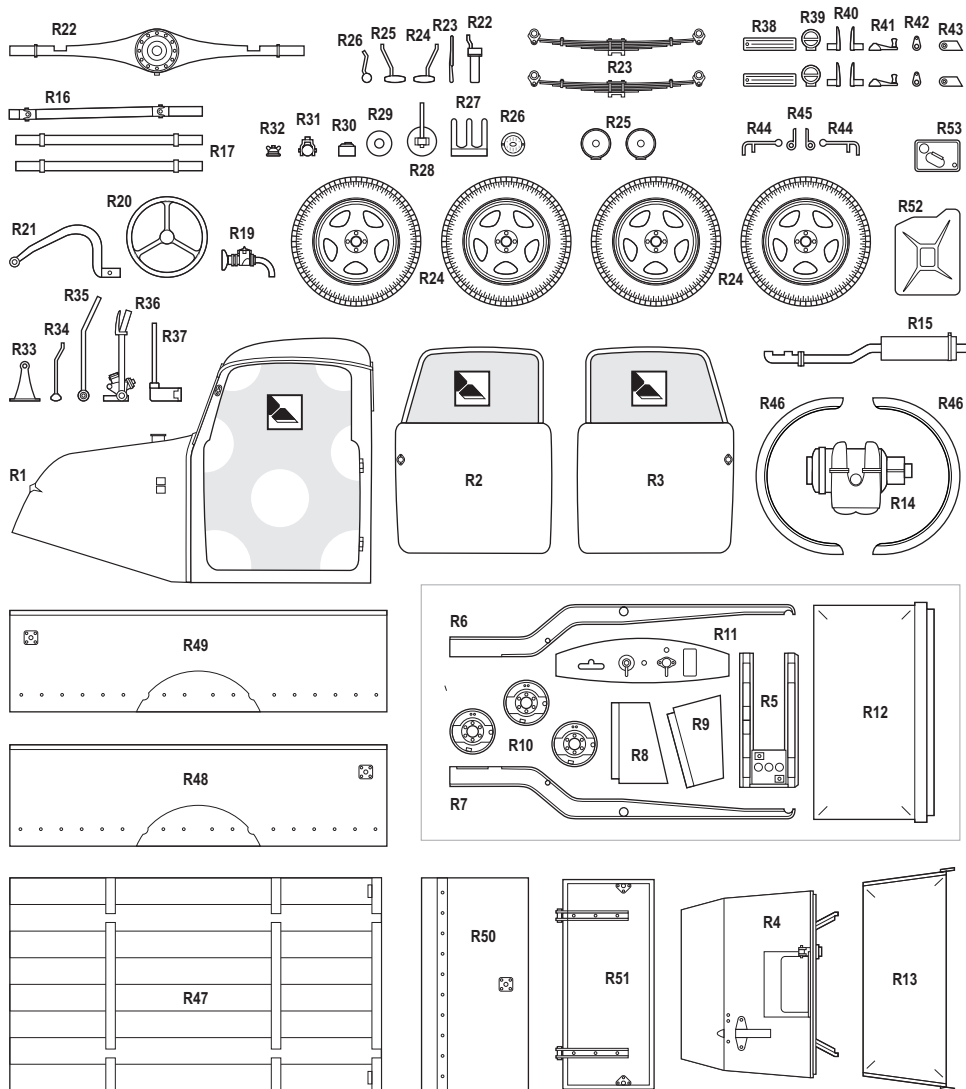


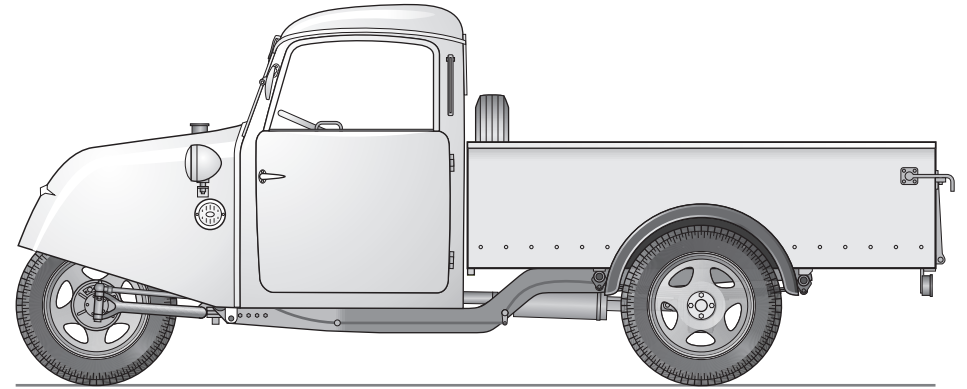
RESIN PARTS



WWW.LEADWARRIOR.COM
INFO@LEADWARRIOR.COM
Ebay: LEADWARRIOR

BORGWARD GOLIATH F.400

DREIRAD TIEFPRITSCHKE
• 1938 •



1:35 COMPLETE RESIN KIT 78 RESIN PARTS - DETAILED ENGIN, CHASSIS AND INTERIOR

Engineer Carl F.W. Borgward founded the "Goliath-Werke Borgward & Co." in 1928, when Germany suffered of the deep economical and political crisis. Borgward started production of affordable and reliable utility trucks of his own design. This risky enterprise was successful - 2-stroke-powered, 3-wheeled transporter with two seats called the "Blitzkarren" was sold and exported by the thousands. Notably, in Germany, until 1933, vehicles with less than four wheels and up to 350cc engines could be driven without a license and were tax-free. It subsequently formed Borgward's love of the 3-wheeler, and his appreciation of the 2-stroke principle.

Simultaneously, Carl Borgward used several production brands - "Hansa-Lloyd" (for middle-class conventional 4-wheeled cars), "Borgward" (for larger cars), and "Goliath" (for 3-wheelers and trucks).

In 1936, the production of the "Goliath F.400" 3-wheeled truck had begun. It has 500kg load capacity, 2,5 meter wheelbase, and 2-stroke 2-cylinder 395cc engine, which delivered 12.5 hp. The top speed was 50 km/h. The price was RM 1225.

At least three different body variants were proposed: "Tiefpritsche" (truck with narrow and deep cargo bed), the conventional cargo flatbed version, and the "Lieferwagen" - small van. In 1938 "F.400" went through a light restyling - "Goliath" front logo was replaced by Borgward emblem, two rear lights were added.

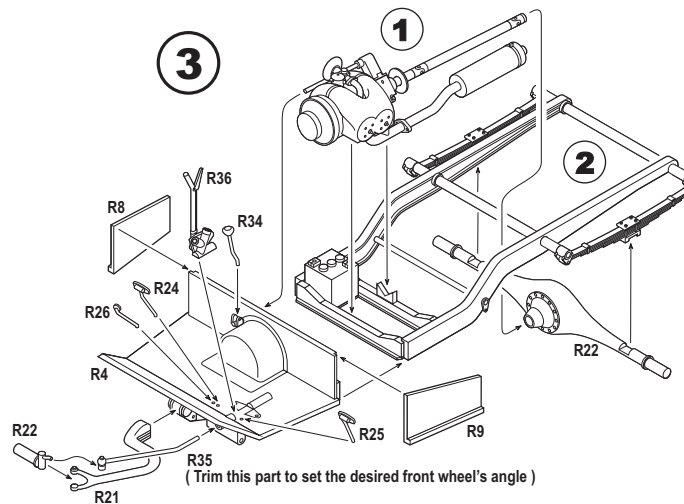
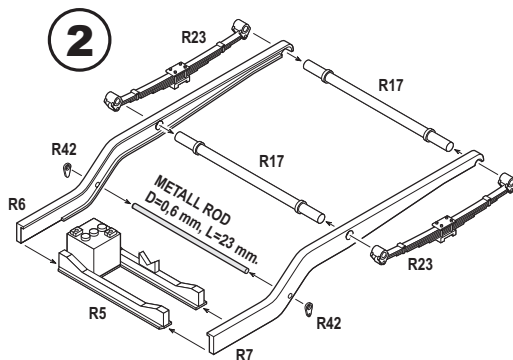
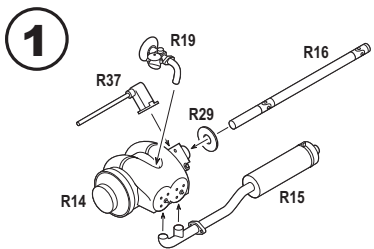
That was simple yet intelligent design - thousands were sold, as it was optimal light delivery vehicle for small businesses, farmers, post-offices etc. Strange, but no war-time photos of "F.400" we know about.


"F.400" production stopped in 1938 - Borgward became deeply involved in developing of the most advanced military vehicles - like famous Sd.Kfz.11 halftracks, remote-controlled demolition drones, and even 4-man submarine on tracks - to crawl on the bottom of the ocean floor.

After Germany lost the war, Borgward was jailed for all that. As he went free in 1948, he restored the production of peace-time vehicles, including the successor of the "F.400" - the 3-wheeled truck "Goliath GD.750", which was produced until 1955. Overall, 49.000 three-wheeled "Goliaths" were produced by 1961.

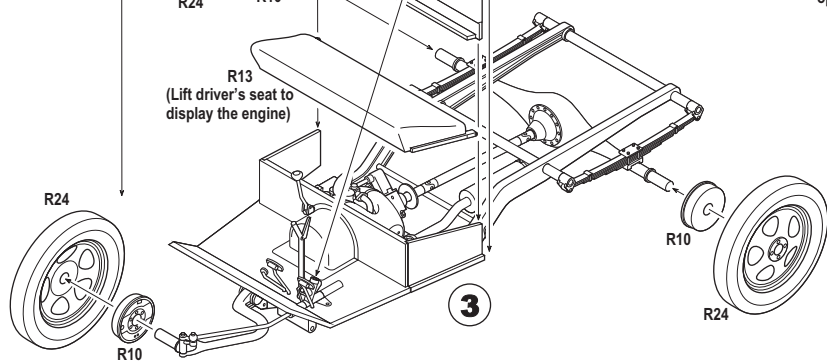
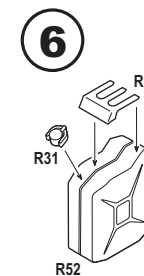
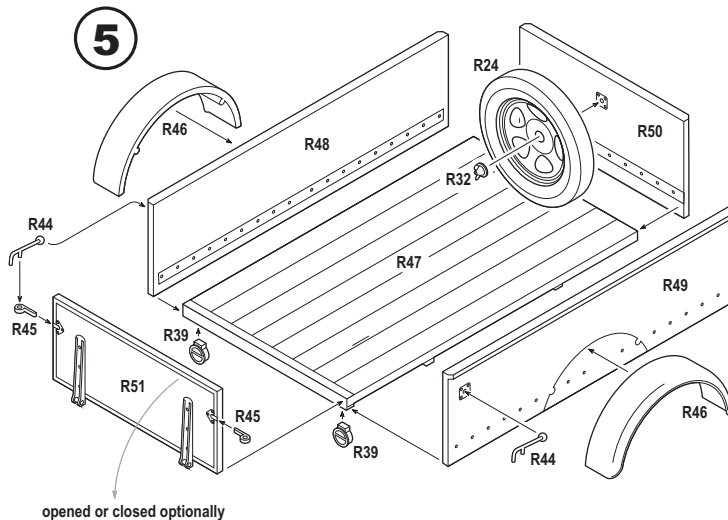
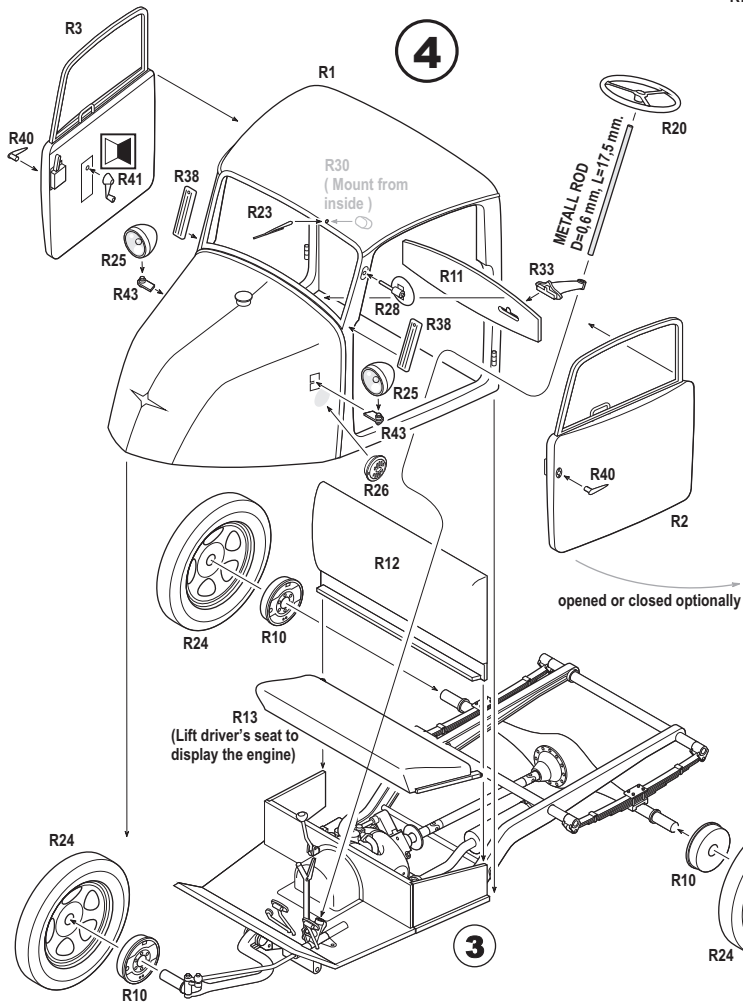
About a dozen of pre-war "Goliath F.400" are preserved in museums and private collections, most are still running well.

-  **Cut / Remove part**
-  **Repeat on mirror side**
-  **Optional**
-  **Repeat several times**




LEADWARRIOR
LW 35211
 2012

 BORGWARD -
 GOLIATH F400
 DREIRAD TIEFFRITSCHE
 1938



Use Preprinted Clear Film for windows:

